

Art. nr.: 60000099

Montage Handleiding

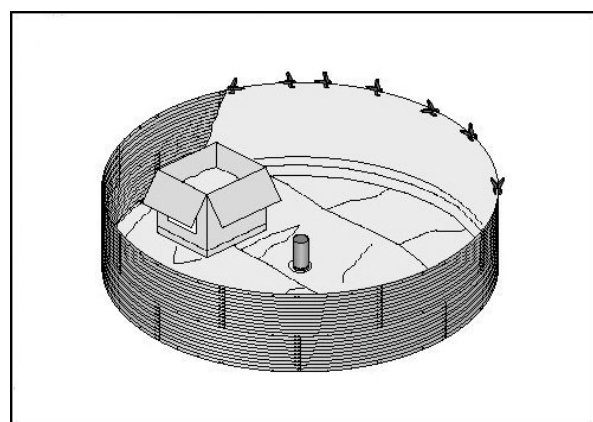
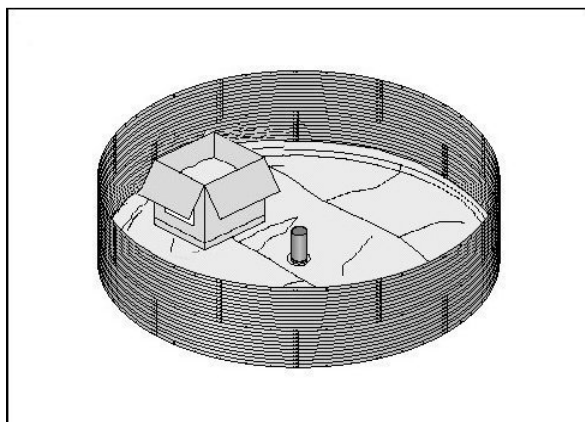
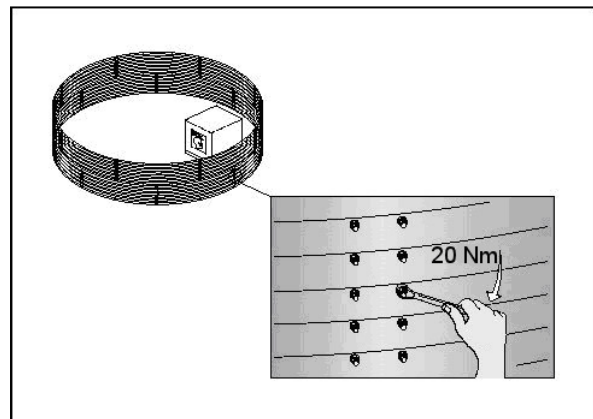
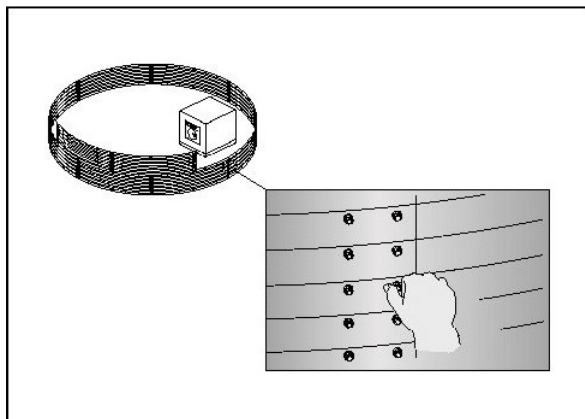
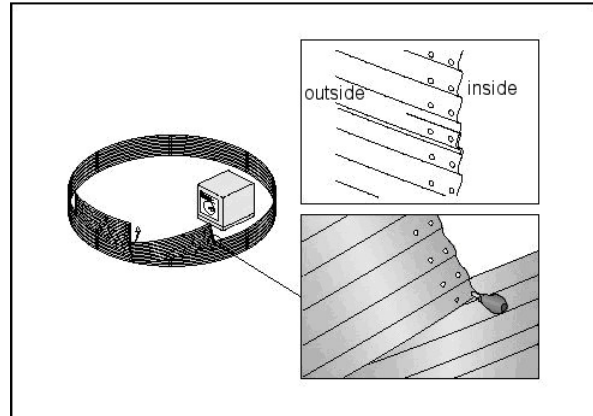
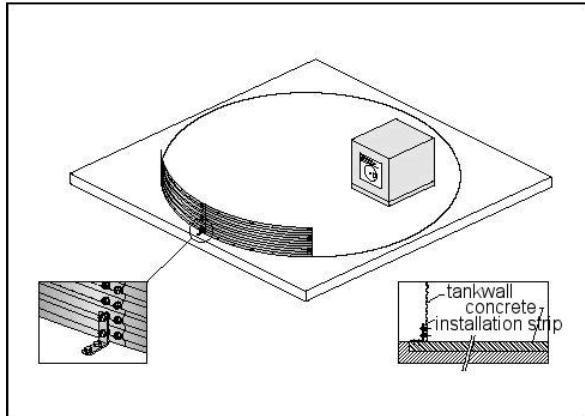
Installation Instructions



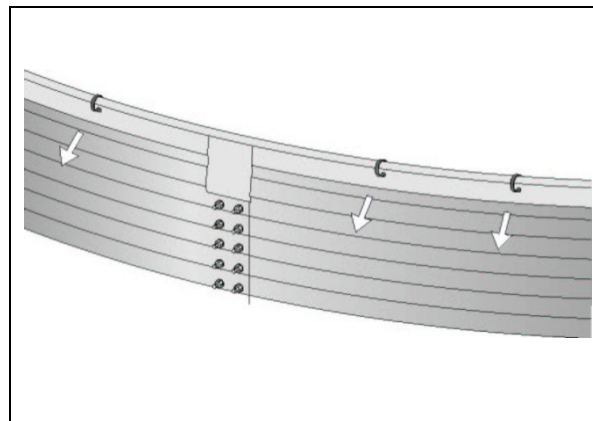
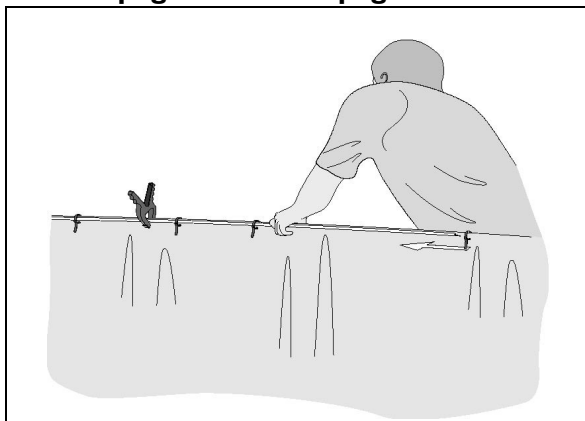
1. Silo / Steel silo
2. Silobekleding / Silo liner
3. Doorvoer / Outlet
4. Anti-alg spanzeil / Anti-algae tension cover
5. Silofloat[®] drijfzeil / Silofloat[®] floating cover

| Silo / Steel tank

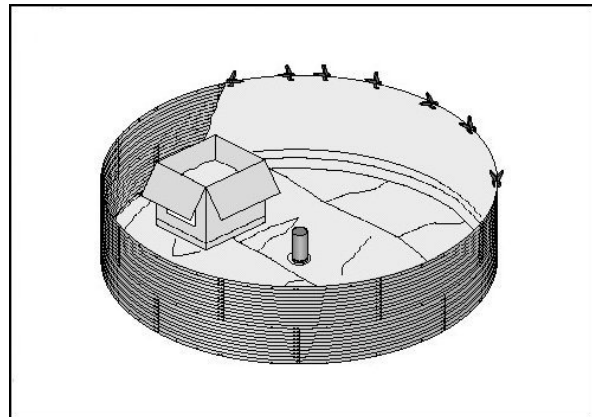
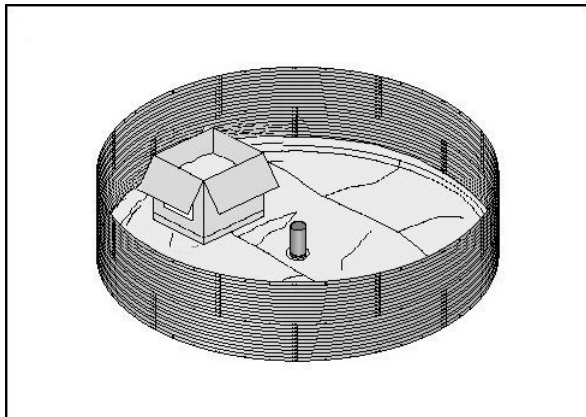
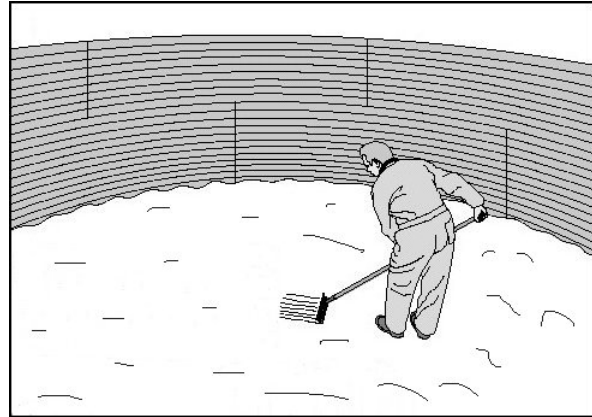
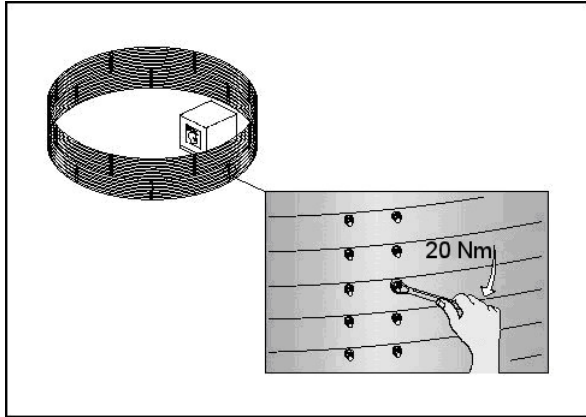
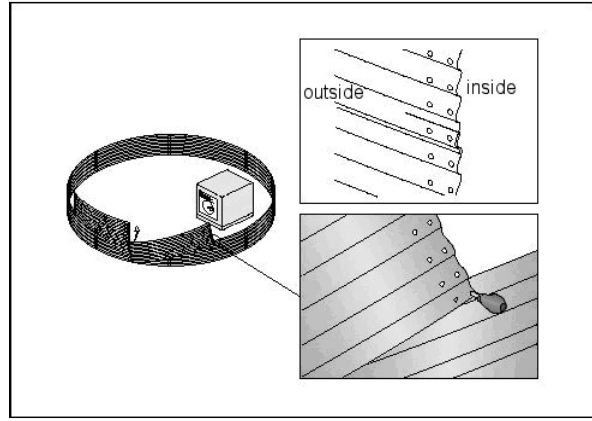
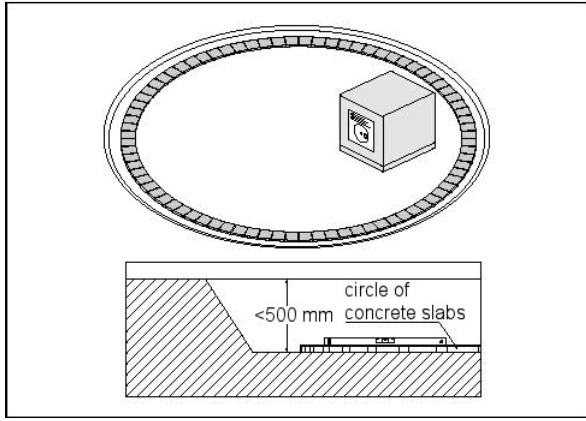
Ia Betonvloer / Concrete floor



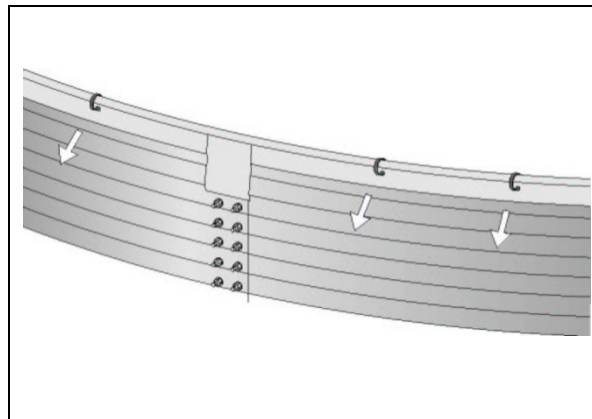
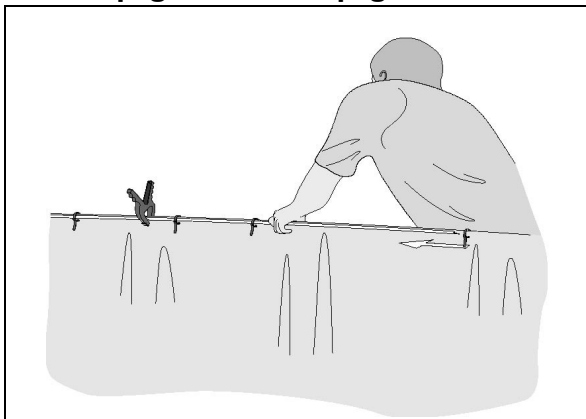
Zie ook pag. 4 / see also page 4



Ib Betontegels / Concrete slabs

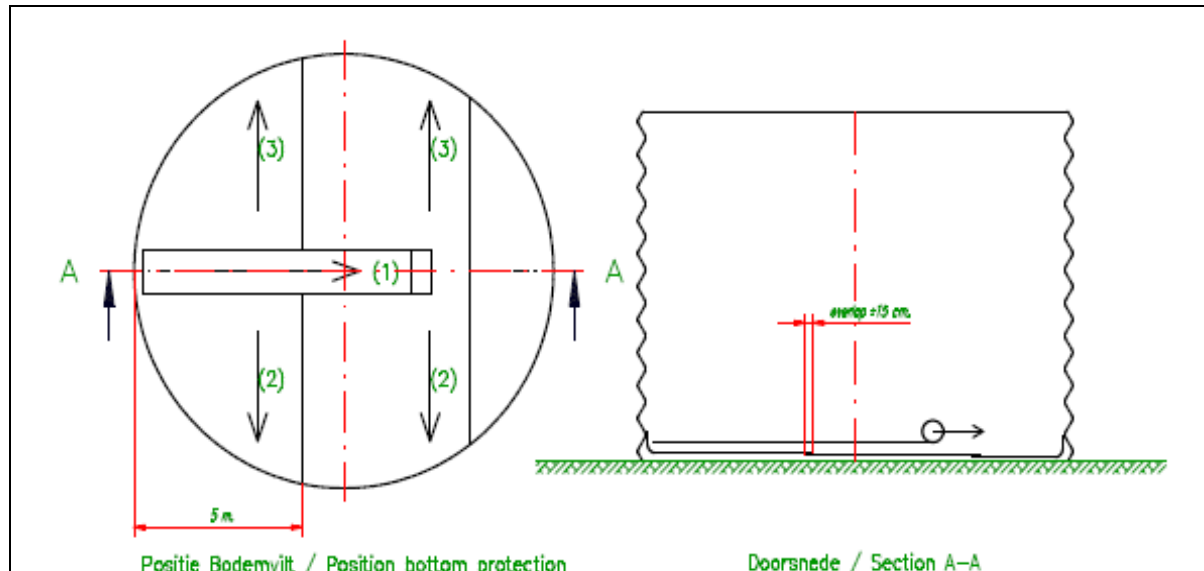


Zie ook pag. 4 / see also page 4

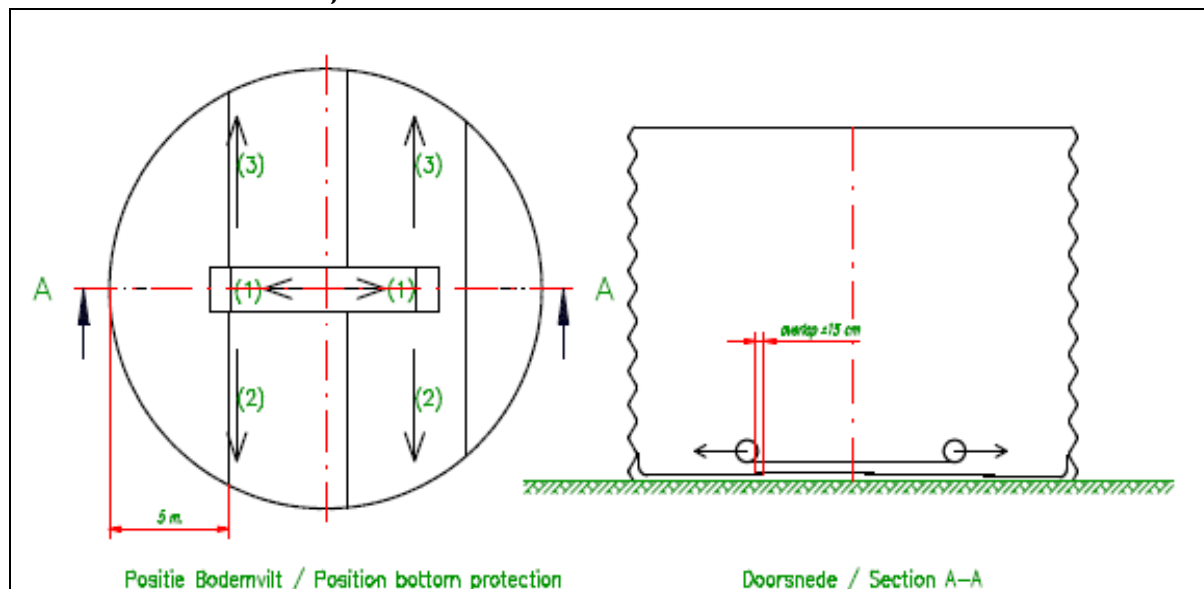


Bodemvilt / Bottom protection sheet

1c Silo / Steel Tank $\leq 14,0$ m

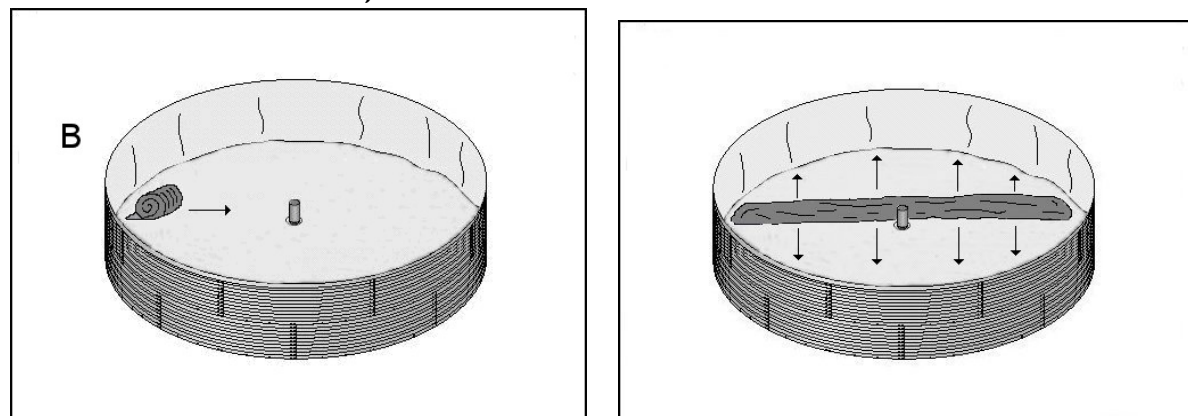


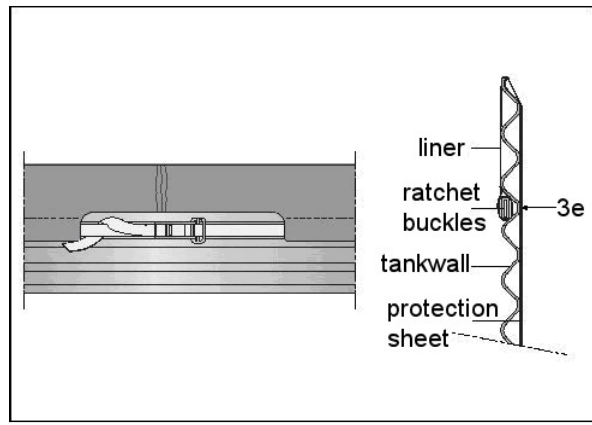
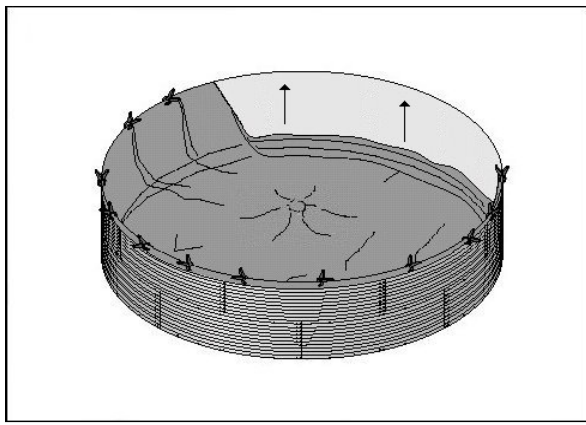
2c Silo / Steel tank $> 14,0$ mtr



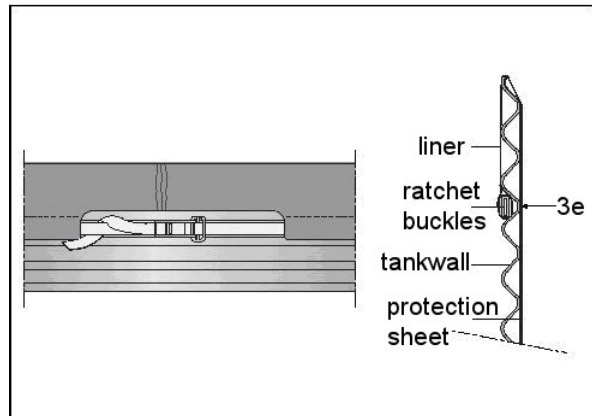
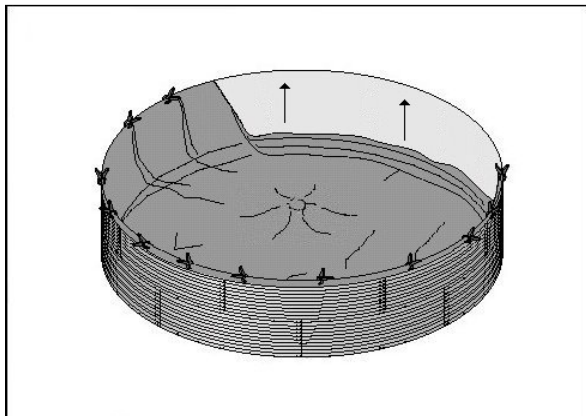
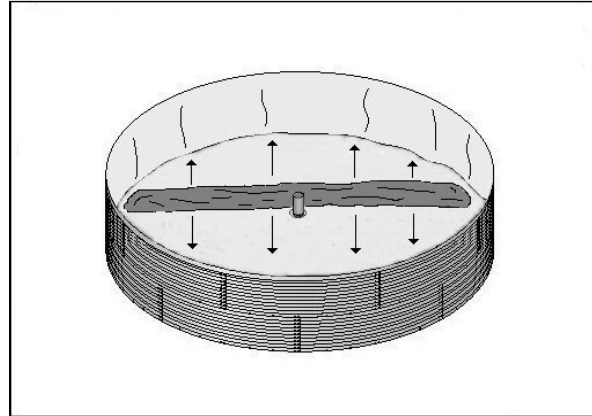
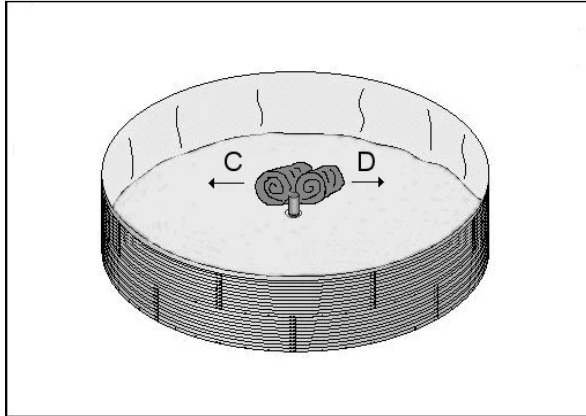
2 Silobekleding / Tank liner

2a Silo / Steel Tank $\leq \text{Ø}14,0$ m

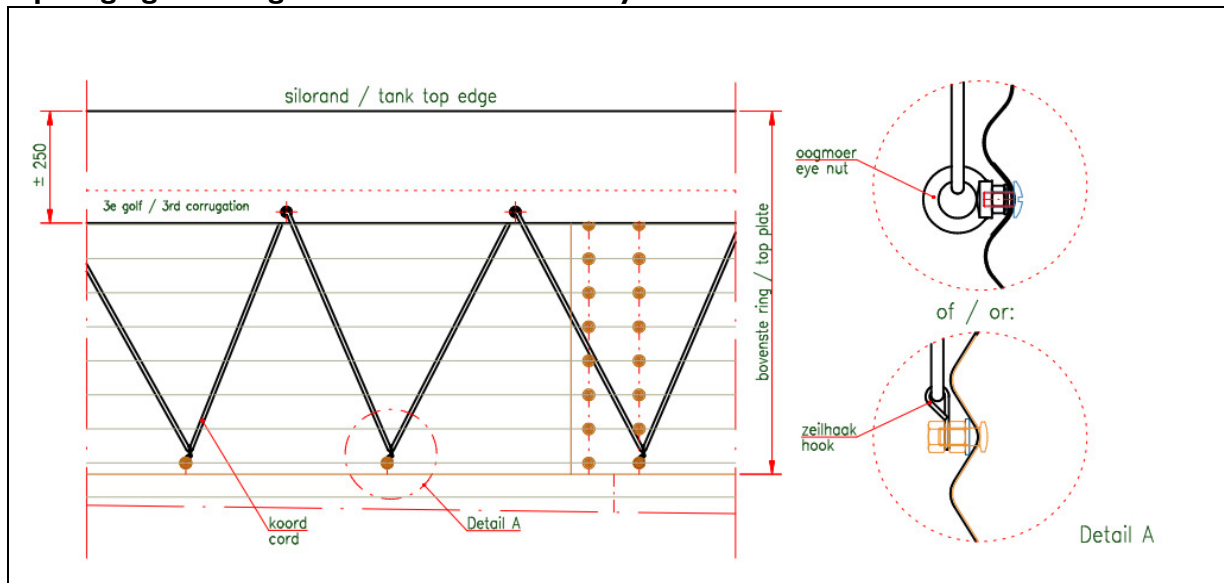




2b Silo / Steel tank > Ø14,0 m



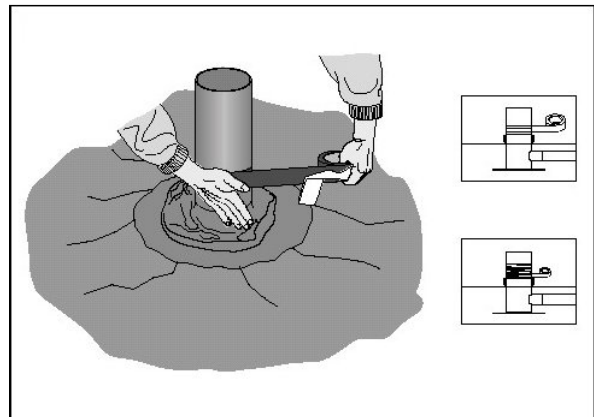
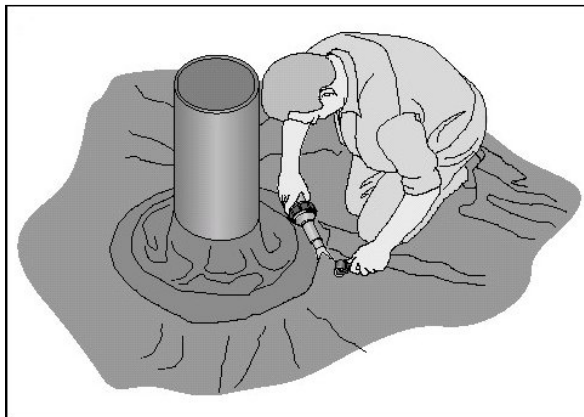
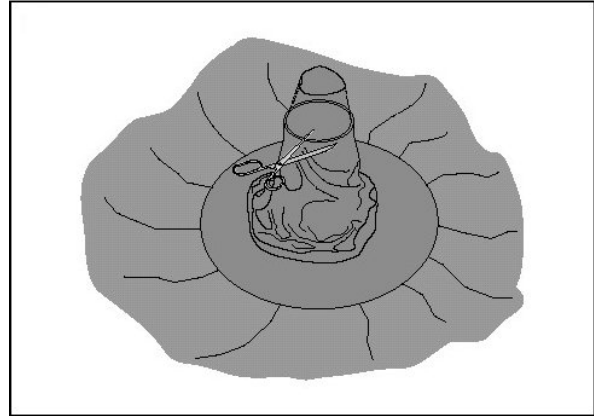
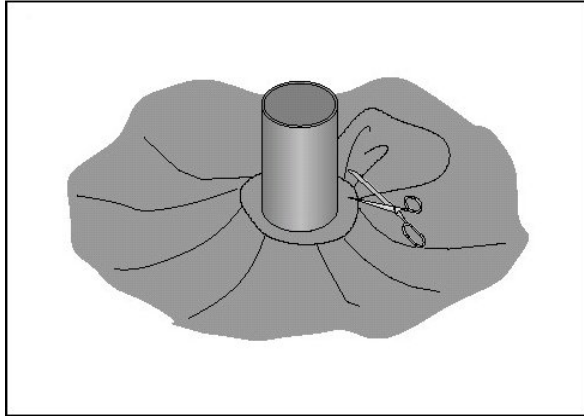
Ophanging met ring-koord / Fixation with eyelet-cord



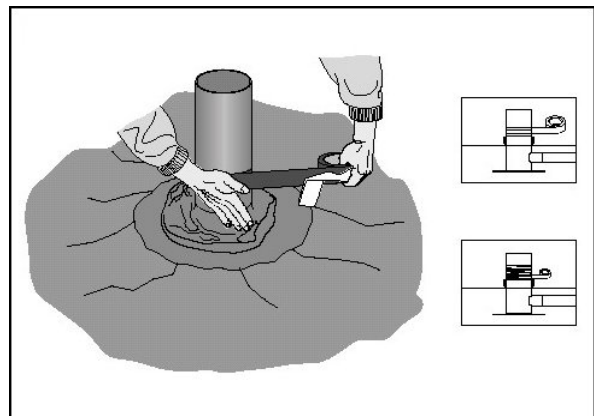
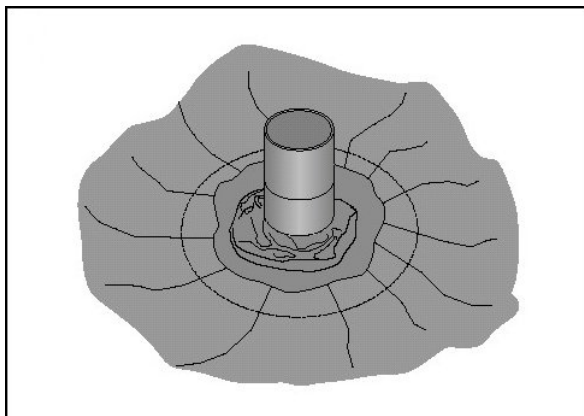
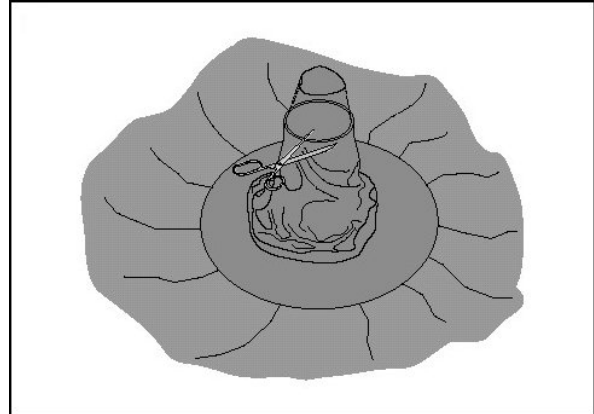
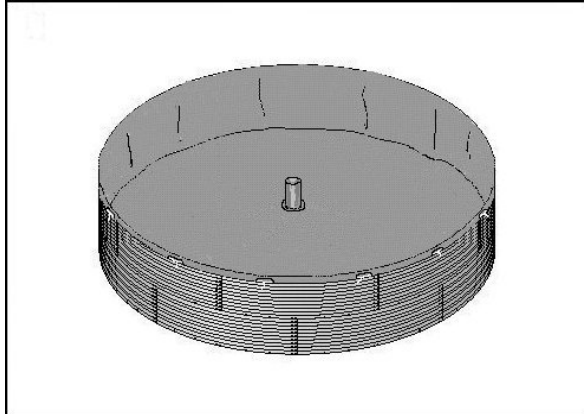
Genap b.v. rev.12 0214

3 Doorvoer / Outlet

3a Op locatie / on site

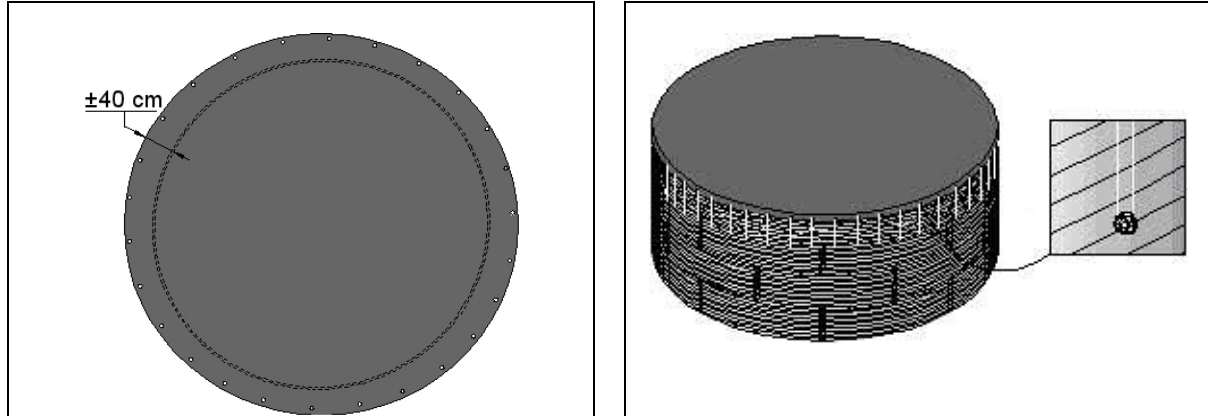


3b In silobekleding / in liner



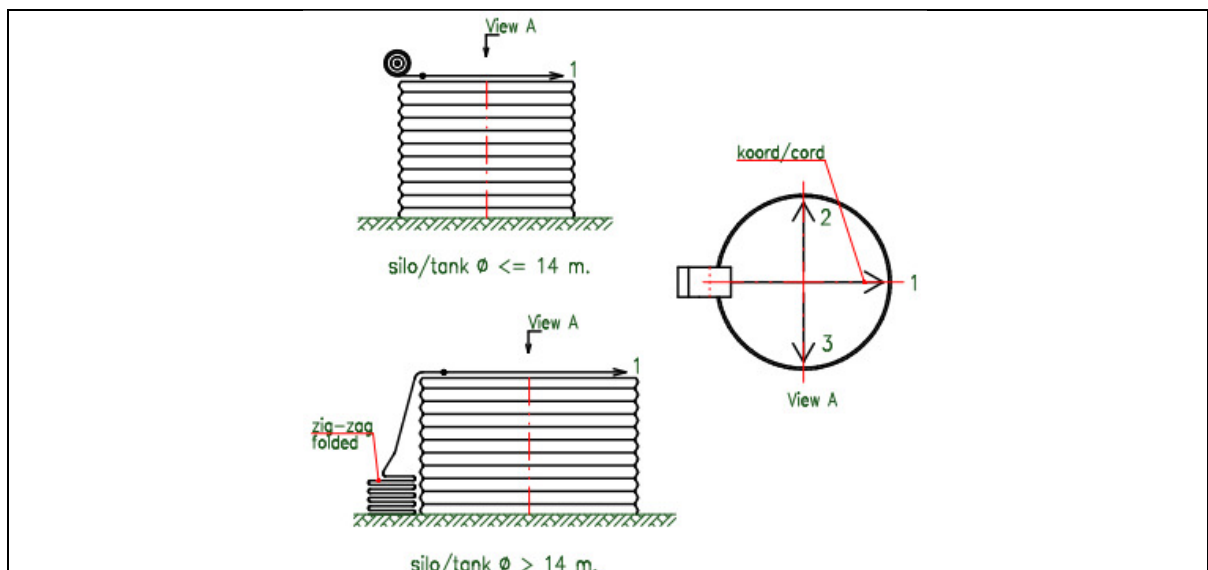
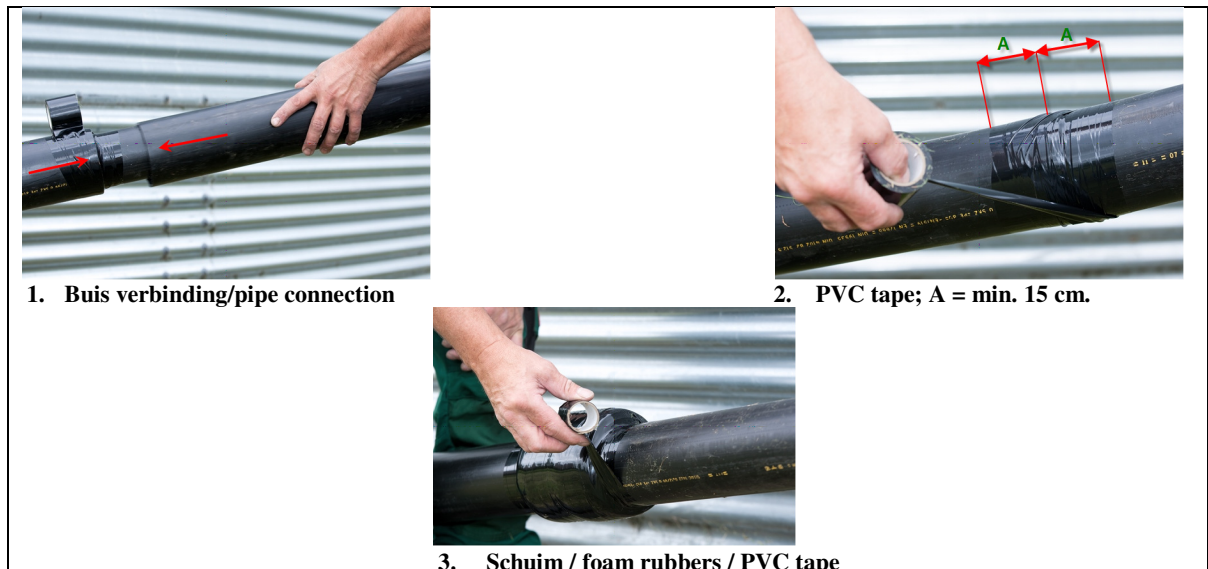
4 Anti-alg spanzeil / Anti-algae tension cover

4a Binnen gebruik; Buiten gebruik silo ≤ Ø7,0 m / Inside use; outside use tank ≤ Ø7,0 m



5 Silofloat® drijfzeil / floating cover

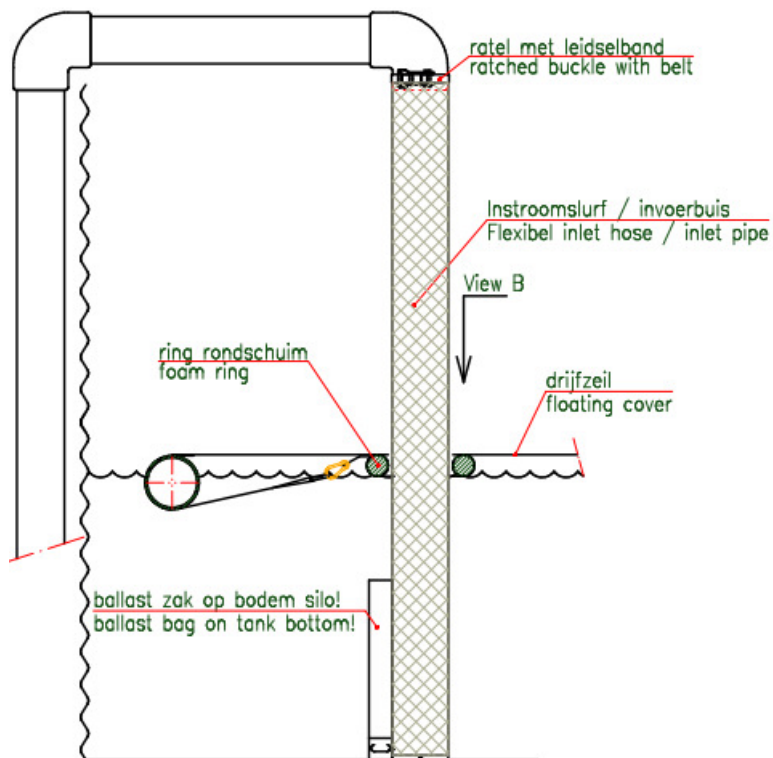
'Lege' silo: max. 25 cm. water; 'Volle' silo: minstens tot 30 cm. onder de rand gevuld
 'Empty' silo: max. 25 cm. water; 'Full' silo: at least 30 cm. under top edge silo



Genap b.v. rev.12 0214



Doorsnede / cross section



Buis inlaat / pipe inlet



Opening in zeil knippen / cut opening in cover



Installatie ring rondschuim / installation foam ring